



PE-4000 SPACE PRESSURE SENSOR

DESCRIPTION

Model **PE-4000** Space Pressure Sensors are designed to accurately sense space static pressure levels. The design of the sensing ports and averaging chamber produces instantaneous pressure signals in areas with low terminal velocities (below 150 feet per minute [fpm]), and therefore cannot be located adjacent to diffusers, grills, or room entrances. The **PE-4000** is designed to fit in a standard electrical utility box.

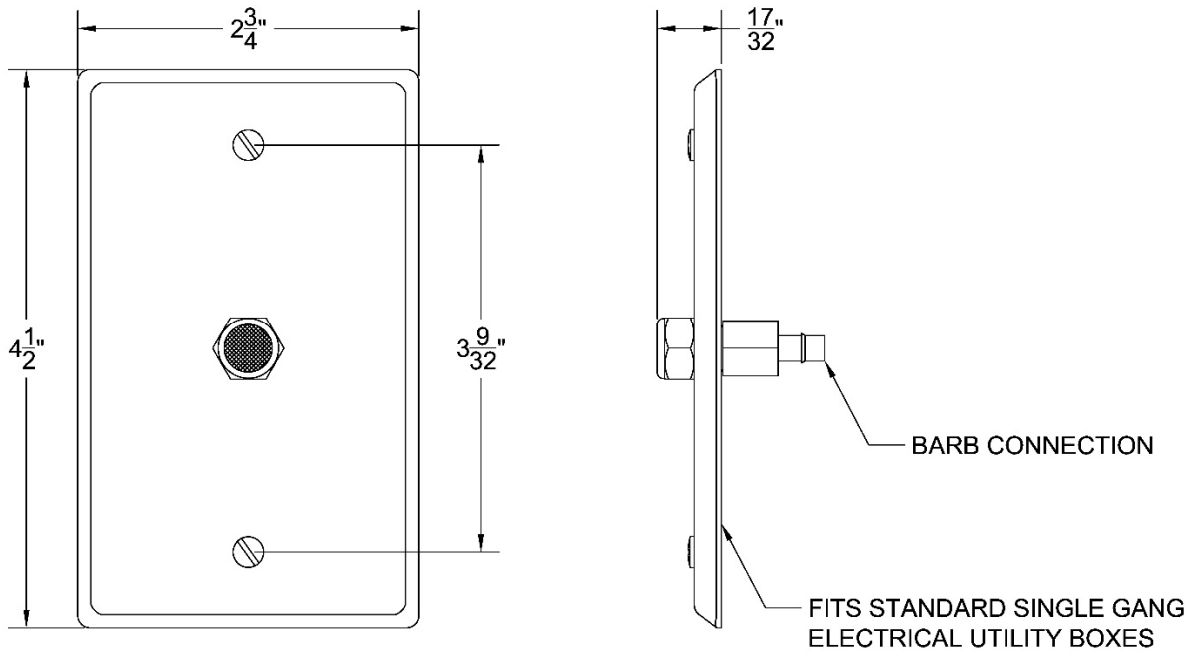
Features

- Low signal-to-noise ratio
- 70-micron mesh filter
- $\pm 1\%$ accuracy of actual pressure
- Constructed of stainless steel
- Furnished complete with mounting hardware and signal connection fitting

PE-4000 Technical Specifications

- | | |
|-----------------------------------------------------------------------------------------------------------------------------------------------------------------------------------------------------------|-------------------------------------------------------------------------------------------------------------------------------------------------------------------------------------------------------------------------------------|
| <p>1. Accuracy
± 1% of actual pressure</p> <p>2. Temperature
120°F continuous operation
170°F intermittent operation</p> <p>3. Humidity
0 to 100% non condensing</p> | <p>4. Corrosion Resistance
Suitable for most environments</p> <p>5. Material
Type 302 stainless steel</p> <p>6. Connection Fittings
¼" barb connection (³/₁₆" ID tubing)</p> |
|-----------------------------------------------------------------------------------------------------------------------------------------------------------------------------------------------------------|-------------------------------------------------------------------------------------------------------------------------------------------------------------------------------------------------------------------------------------|

PE-4000 Dimensions



PE-4000 Specification Guide

Space (Room) Pressure Sensing Elements

1. Provide space static pressure sensors suitable for surface mounting. Each sensor is to be complete with multiple sensing ports, pressure impulse suppression, and field connection fitting. The sensing unit shall be constructed of Type 302 stainless steel with a brushed finish on exposed surfaces.
2. These elements shall be capable of sensing the static pressure in the proximity of the sensor to within ±1% of the actual pressure value.

Manufacturer

1. Space static pressure sensors shall be Paragon Controls Inc. Model PE-4000 or equal as approved by the Engineer.
2. Naming of any manufacturer does not automatically constitute acceptance of this standard product nor waive the responsibility of the manufacturer to comply totally with all requirements of the proceeding specification.