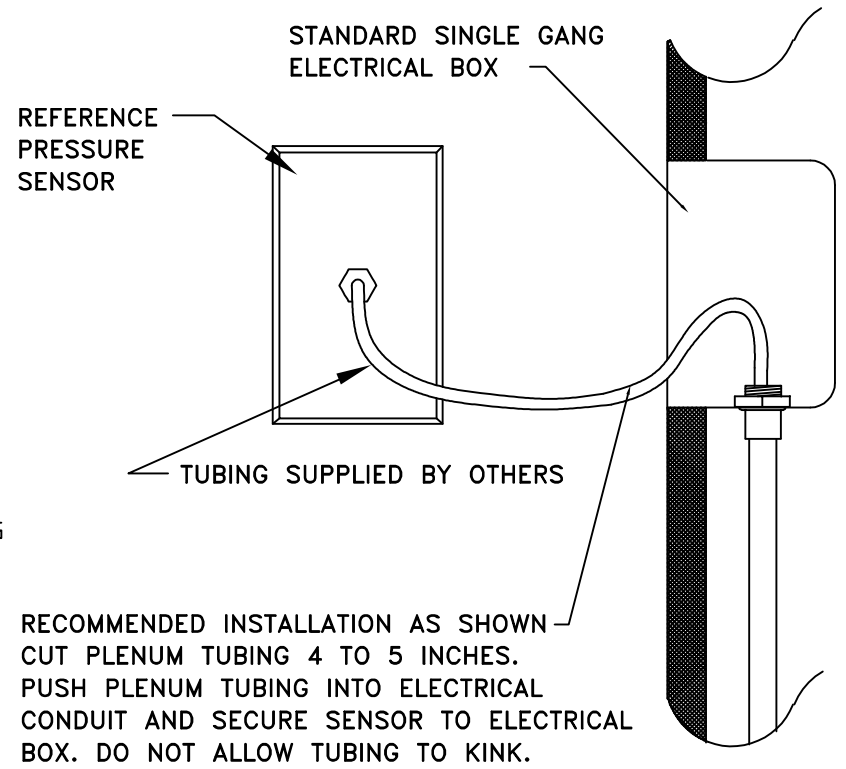
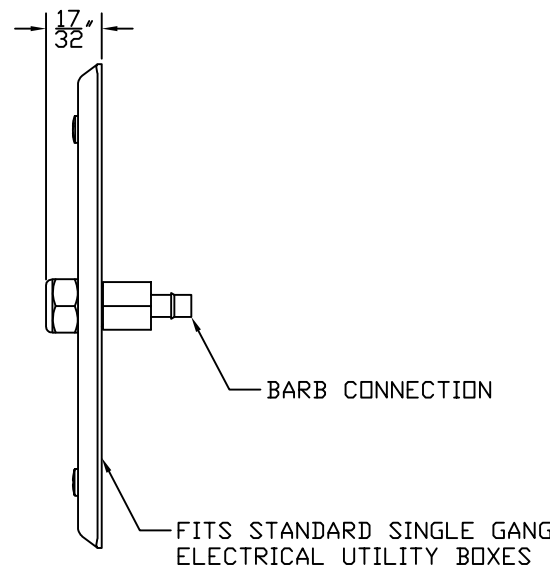
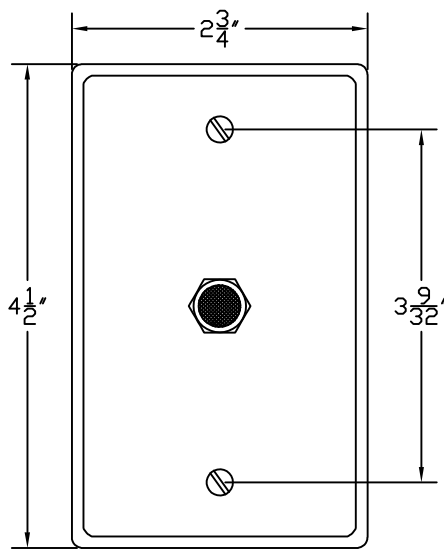


PE-4000 INSTALLATION & MAINTENANCE INSTRUCTIONS



MAINTENANCE

Since there are no mechanical parts in the sensor, maintenance is not required in most installations. Installations having viscous airborne particulates require periodic inspections. If sensing holes on the mesh filter become fouled or plugged, cleaning is necessary.

Cleaning: Plugged mesh filter may be cleaned with a soft wire brush or similar tool. Care should be taken not to disfigure original size and shape. Cleaning may be accomplished using standard industrial cleaners and using sterilizers with use of lint free cloths. Do not allow liquid to enter into the sensor as it may migrate to instruments and cause damage.

	PARAGON CONTROLS INCORPORATED	TITLE: PE-4000 INSTALLATION AND MAINTENANCE INSTRUCTIONS			
		PROJECT NAME: NA			
DRAWN BY: VP	DATE: 10/9/15	W.O. #: NA	PROJECT NO.: NA		
CHECKED BY: VP	DATE: 10/9/15	SIZE SCALE: A NA	DRAWING NO.: PE-4000-IN		
APPROVED BY: KF	DATE: 10/9/15	NEXT ASSEMBLY: NA	SHEET: 1 OF 1	REV.: 05; 4/21/22	