



TT-NEMA 4

Temperature Transmitter

Operation & Maintenance Manual

*Engineered for accuracy, applicability,
durability and simplicity in HVAC air systems
and industrial process control loops*

TABLE OF CONTENTS

TABLE OF CONTENTS.....	i
1. INTRODUCTION	1
1.1. DESCRIPTION.....	1
1.2. SPECIFICATIONS	1
1.2.1. Supply Voltage.....	1
1.2.2. Combined Accuracy (Linearity, Hysteresis & Repeatability)	1
1.2.3. Temperature Range.....	1
1.2.4. Output	1
2. INSTALLATION	2
2.1. MECHANICAL DIMENSIONS.....	2
2.2. TEMPERATURE TRANSMITTER CONNECTION LAYOUT	2
2.3. MICROTRANS ^{EQ} TO TEMPERATURE TRANSMITTER CONNECTION.....	3
2.4. MICROTRANS ^{II} TO TEMPERATURE TRANSMITTER CONNECTION	4

1. INTRODUCTION

1.1. DESCRIPTION

The RTD and transmitter are matched and calibrated as a complete assembly in a temperature chamber against a NIST traceable calibrated standard. The transmitter is a 2 wire 4-20mA loop powered device calibrated to a temperature range of -30°F to 130°F.

1.2. SPECIFICATIONS

1.2.1. Supply Voltage

8.5 to 32VDC

1.2.2. Combined Accuracy (Linearity, Hysteresis & Repeatability)

±0.20% of full scale

1.2.3. Temperature Range

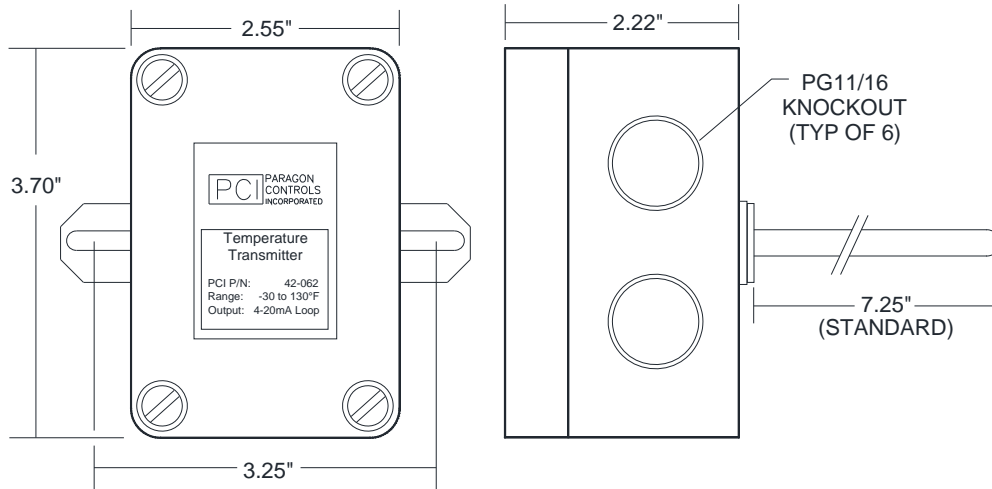
-30°F to 130°F

1.2.4. Output

4-20mA

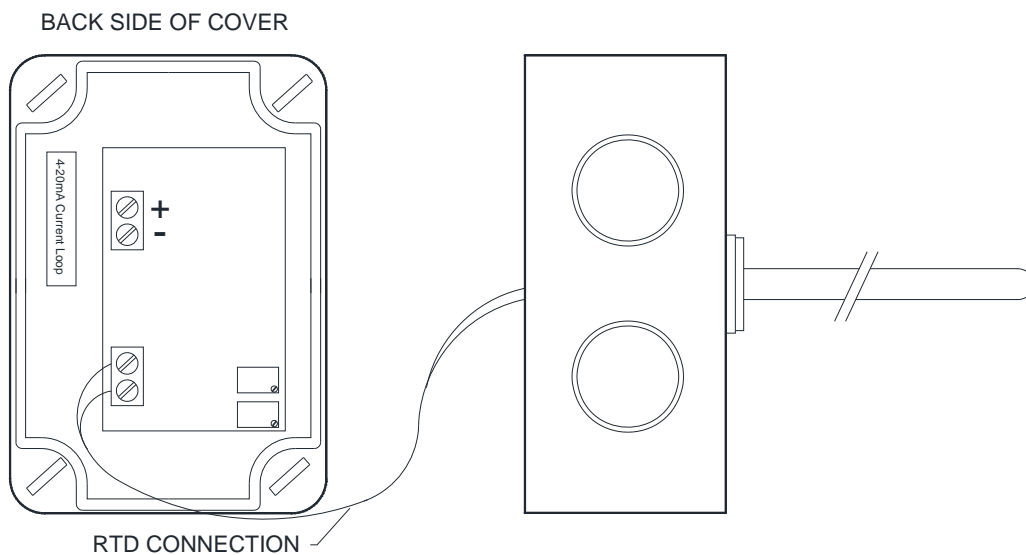
2. INSTALLATION

2.1. MECHANICAL DIMENSIONS



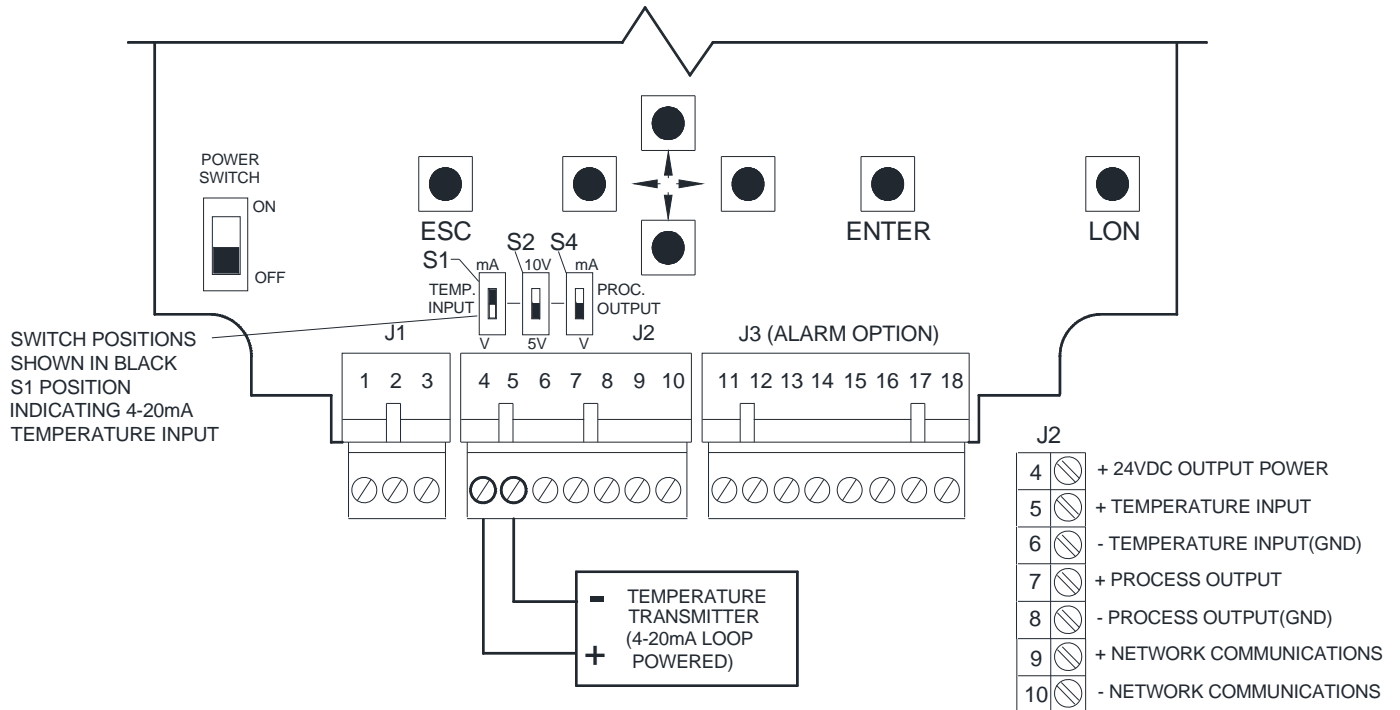
2.2. TEMPERATURE TRANSMITTER CONNECTION LAYOUT

- Remove the Temperature Transmitter cover by turning each corner cover mounting screw counter clockwise.
- The Temperature Transmitter enclosure incorporates six 1/2 inch by 3/4 inch conduit connections to interface all electrical wiring.
- Refer to the below figure for Temperature Transmitter connector location.



2.3. MICROTRANS^{EQ} TO TEMPERATURE TRANSMITTER CONNECTION

- Remove the MicroTrans^{EQ} cover by turning each corner cover mounting screw counter clockwise.
- The MicroTrans^{EQ} board has removable plugs for ease of installing the interface wiring. **(Caution - All electrical connections must be made with the MicroTrans^{EQ} power switch in the OFF position)**
- Refer to figure below for connector location.



2.4. MICROTRANS^{II} TO TEMPERATURE TRANSMITTER CONNECTION

- Remove the MicroTrans^{II} cover by turning each corner cover mounting screw counter clockwise.
- The MicroTrans^{II} board has removable plugs for ease of installing the interface wiring.
(Caution: All electrical connections must be made with the MicroTrans^{II} power switch in the OFF position)
- Refer to figure below for connector location.

