



PARAGON
CONTROLS
INCORPORATED



RPM-3000

Remote Monitoring *and Alarm System*

Operation & Maintenance Manual

*Engineered for accuracy, applicability,
durability and simplicity*

TABLE OF CONTENTS

TABLE OF CONTENTS.....	i
1. INTRODUCTION	1
1.1. SAFETY	1
1.1.1. Electrical Connections	1
2. HARDWARE CONFIGURATION.....	2
2.1. RPM-3000 LAYOUT & DIMENSIONS.....	2
2.1.1. Front Panel Layout.....	2
2.1.2. Back Component and Connector Layout.....	3
2.2. RPM-3000 & SPM-3000 INTERCONNECT DIAGRAM	4
3. RPM-3000 INSTALLATION INSTRUCTIONS.....	5
3.1.1. Installation Procedure	5
4. FIELD CALIBRATION	6
4.1. DISPLAY CALIBRATION.....	6
4.1.1. Zero Procedure.....	6
4.1.2. Span Procedure	6

1. INTRODUCTION

1.1. BASIC OPERATION

The **RPM-3000** is a remote single room alarm and pressure indicating panel designed for easy installation and use. The large red and green (yellow optional) room status LED's can be viewed from across the room. The 4 1/2 digit LCD display can be configured to display in INCH w.c., Pa, KPa and mm of w.c..

1.2. SAFETY

1.2.1. Electrical Connections

Before any electrical connections are made to the RPM-3000, ensure the **POWER SWITCH** is in the **OFF** position on the devices (SPM-3000 or SPM-4000) that are sending signals to the RPM-3000.

2. HARDWARE CONFIGURATION

2.1. RPM-3000 LAYOUT & DIMENSIONS

2.1.1. Front Panel Layout

Refer to Figure 2.0 for clarification on the front component layout.

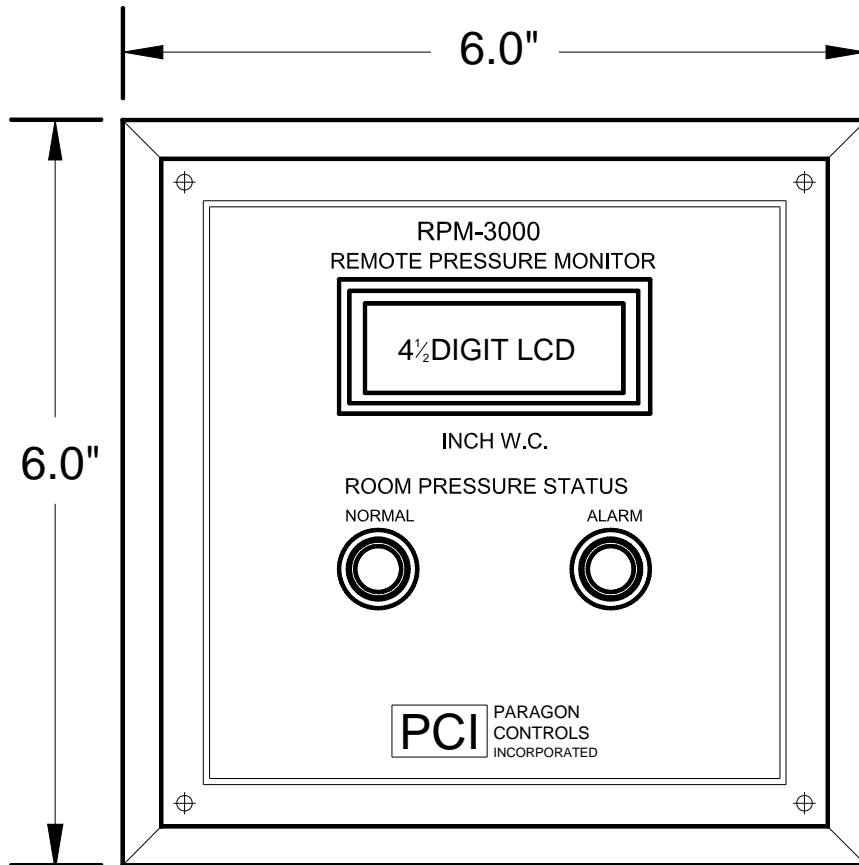


FIGURE 2.0

2.1.2. Back Component and Connector Layout

Refer to Figure 2.1 for clarification on component and connector layout.

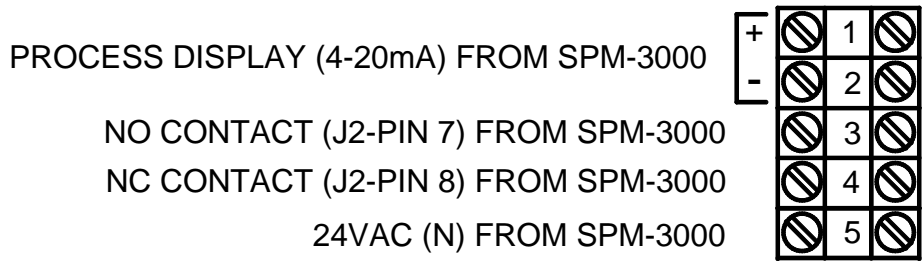
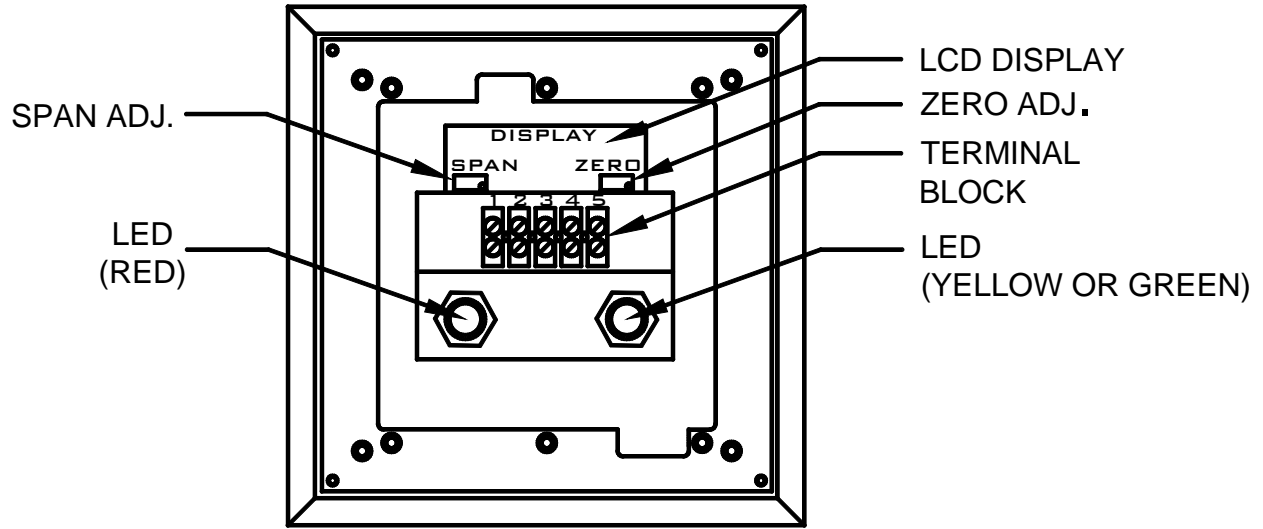
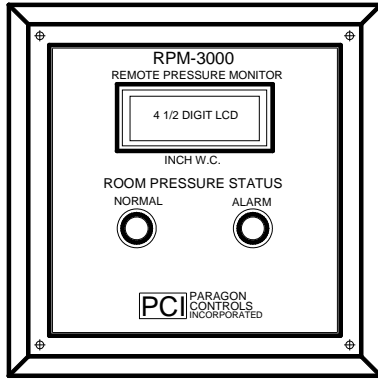


FIGURE 2.1

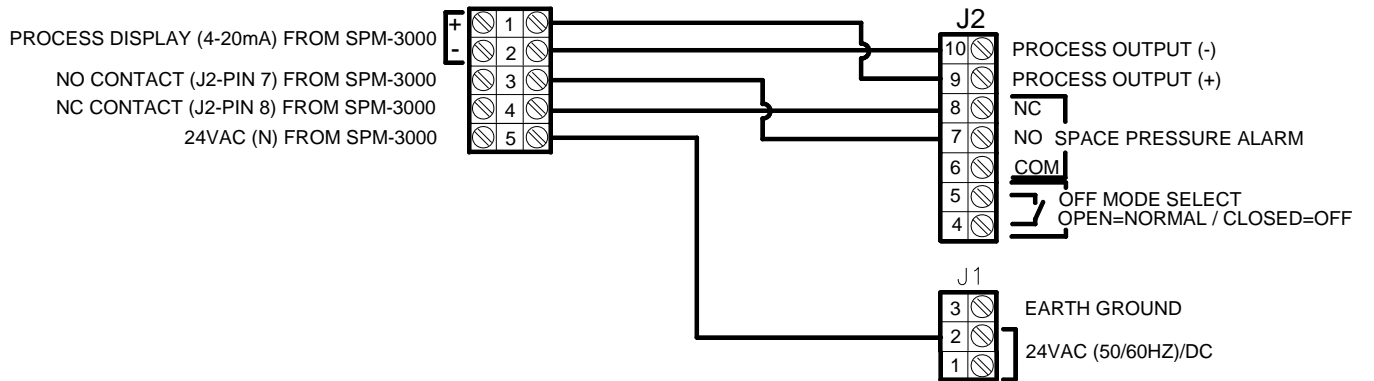
2.2. RPM-3000 & SPM-3000 INTERCONNECT DIAGRAM



RPM-3000



SPM-3000



3. RPM-3000 INSTALLATION INSTRUCTIONS

Refer to Figure 3 below when performing section 3.1.1 Installation Procedure.

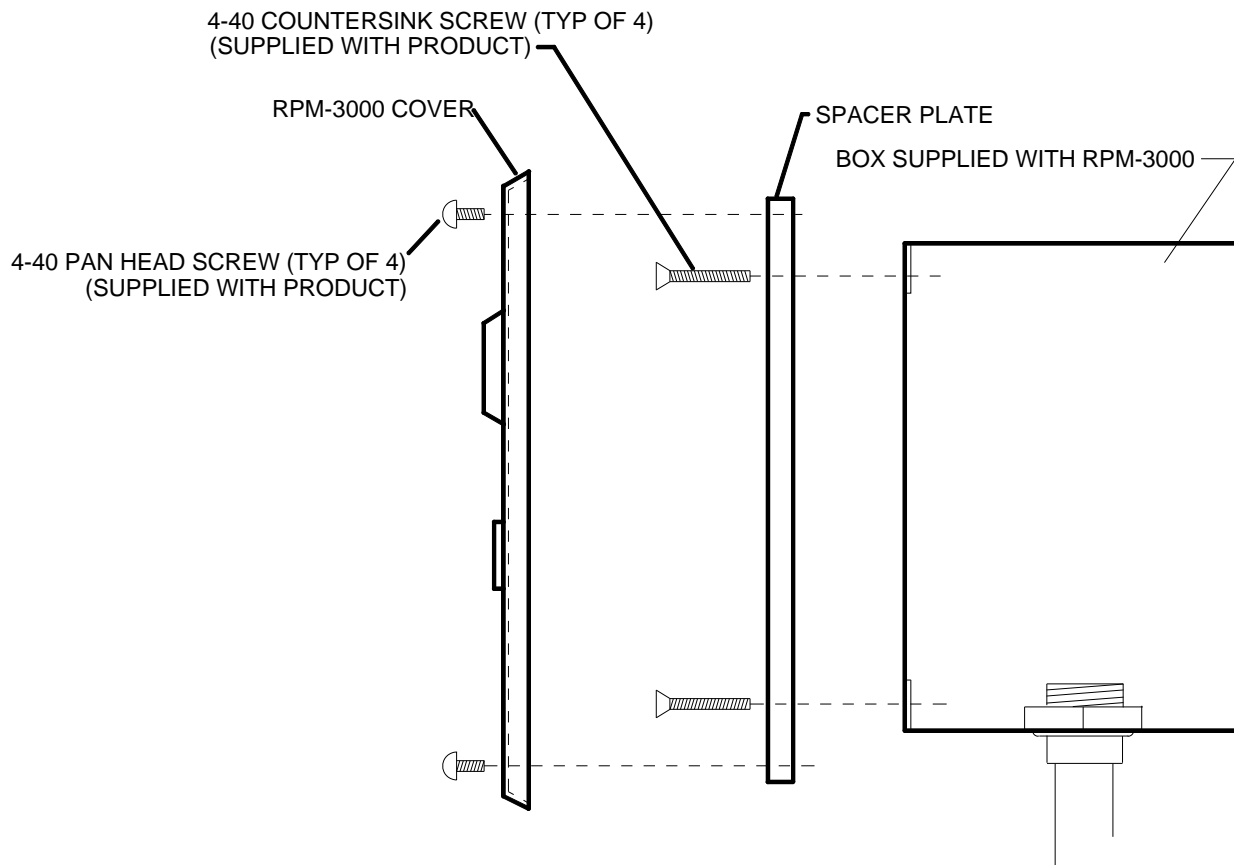


Figure 3.0

3.1.1. Installation Procedure

- Step 1. Secure the Spacer Plate (orientation is not critical) to the air tight flush mount box using the (4) 4-40 countersink screws provided.
- Step 2. Secure the RPM-3000 cover to the Spacer Plate using the (4) 4-40 Pan Head screws provided.

4. FIELD CALIBRATION

4.1. DISPLAY CALIBRATION

The following zero calibration procedure can be performed without the need to perform a span calibration.

4.1.1. Zero Procedure

- Step 1. Verify zero pressure is applied to the associated Micro Guardian (SPM-3000).
- Step 2. Remove the RPM-3000 from the mounting box and locate the Zero adjustment potentiometer located on the back of the 4 ½ digit display.
- Step 3. Adjust the Zero adjustment potentiometer until the display reads the same value shown on the SPM-3000 Room Pressure Monitor display.
- Step 4. Reattach the RPM-3000 to the box using the 4 cover screws.

4.1.2. Span Procedure

(Note: Due to the interaction between the Zero and Span potentiometers, multiple zero and span adjustments will be required)

- Step 1. Verify full span pressure is applied to the associated Micro Guardian (SPM-3000).
- Step 2. Remove the RPM-3000 from the mounting box and locate the Span adjustment potentiometer located on the back of the 4 ½ digit display.
- Step 3. Adjust the Span adjustment potentiometer until the display reads the same value shown on the SPM-3000 Room Pressure Monitor display.
- Step 4. Reattach the RPM-3000 to the box using the 4 cover screws.

