



PE-6000 SURFACE MOUNTED ROOM/SPACE STATIC PRESSURE SENSOR

DESCRIPTION

Model **PE-6000** Surface Mounted Room/Space Static Pressure Sensors are designed to eliminate signal error caused by ambient air turbulence created by occupant motion, operating equipment, or air distribution devices. The output of these sensors is an exceptionally accurate and stable static pressure signal for laboratory; clean, containment, or isolation room differential pressure indication and/or control. The design of the sensing ports and averaging chamber produces instantaneous pressure signals in areas with low terminal velocities (below 150 feet per minute [fpm]). The **PE-6000** is designed for mounting on the ceiling or a wall, within the area being monitored. The **PE-6000** should not be mounted adjacent to diffusers, grills, or room entrances.

Features

- Low signal-to-noise ratio
- Multiple static pressure sensing ports
- Averaging internal manifold
- $\pm 1\%$ accuracy of actual pressure
- Constructed of 6061 aluminum suitable for most applications
- Units are optionally available in Type 304 stainless steel

PE-6000 Technical Specifications

1. Accuracy

± 1% of actual pressure

2. Material

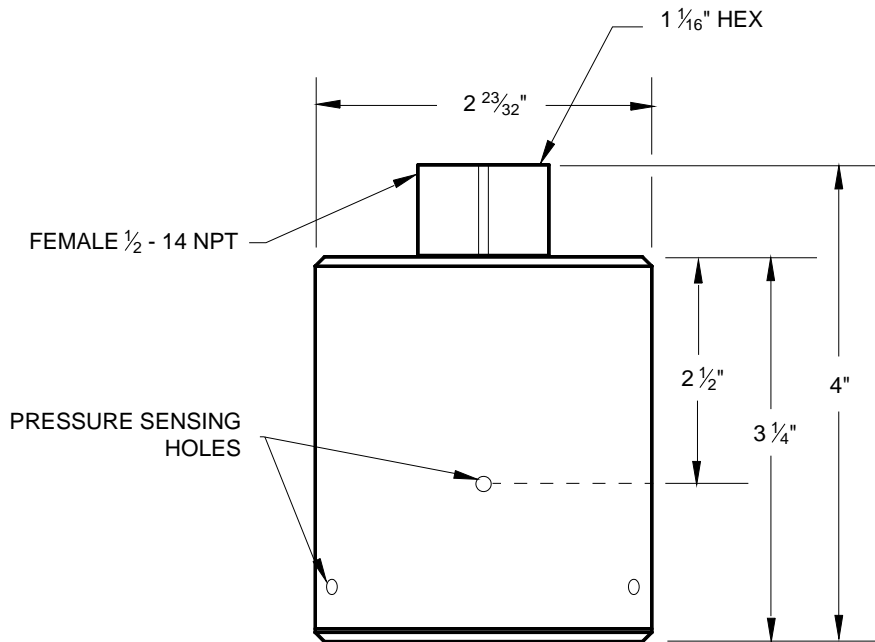
6061 aluminum

Type 304 stainless steel (optional)

3. Connection Fittings

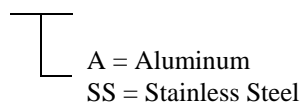
½" NPT

Dimensions



PE-6000 Ordering Information

PE-6000



PE-6000 Specification Guide

Space (Room) Pressure Sensing Elements

1. Provide space static pressure sensors suitable for surface mounting. Each sensor is to be complete with multiple sensing ports, pressure impulse suppression, and field connection fitting. The sensing unit shall be constructed of [6061 aluminum] [Type 304 stainless steel].
2. These elements shall be capable of sensing the static pressure in the proximity of the sensor to within ±1% of the actual pressure value.

Manufacturer

1. Space static pressure sensors shall be Paragon Controls Inc. Model PE-6000 or equal as approved by the Engineer.
2. Naming of any manufacturer does not automatically constitute acceptance of this standard product nor waive the responsibility of the manufacturer to comply totally with all requirements of the proceeding specification.