



PE-5000 DUCT STATIC PRESSURE SENSING ELEMENT

DESCRIPTION

Model **PE-5000** units are insertion-type primary duct pressure sensing elements designed to achieve pressure signal accuracy and stability. The accuracy and low signal-to-noise ratio of the output is made possible by the placement of multiple sensing ports along the length of the element and the averaging effect of the internal manifold.

Installation costs are low; the units are simply installed through a small cutout in new or existing ductwork. Their low installed costs make them very economical for multiple branch variable air volume (VAV) duct systems where indication and fan capacity control may be based on the lowest (most economical) pressure of the multiple static pressure points.

Each element is furnished complete with mounting hardware, sealing gaskets, and signal connection fittings.

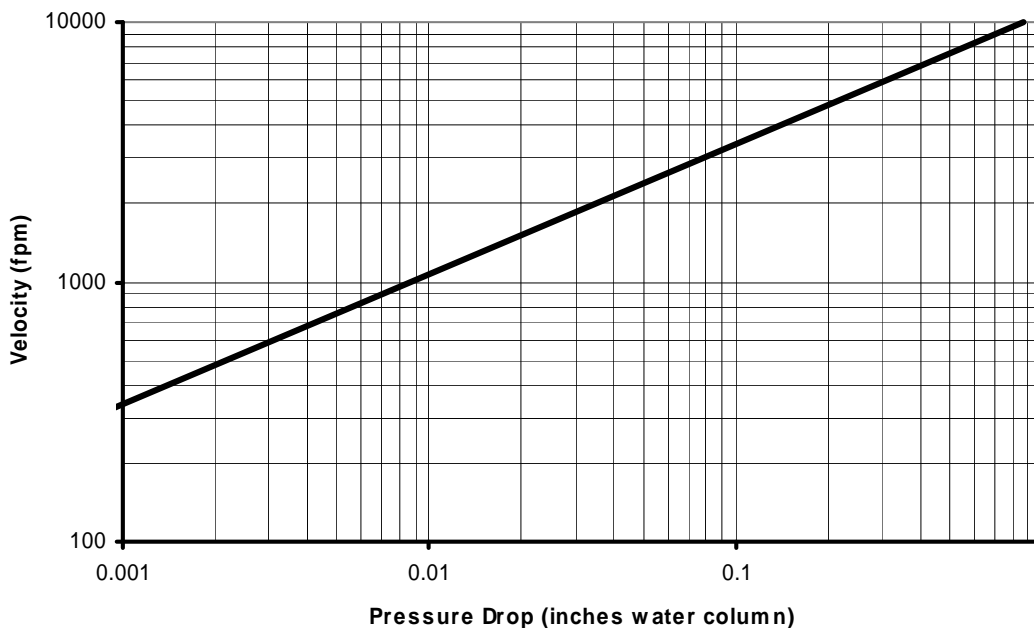
Features

- Low signal-to-noise ratio
- Multiple static pressure sensing ports along the length of the element
- Averaging internal manifold
- $\pm 2\%$ accuracy throughout the velocity ranges of 100 fpm and over
- Standard construction is 6063-T5 aluminum with anodized finish
- Available in optional corrosive resistance materials including Type 316L stainless steel, Hastaloy, and Type 1 PVC
- Standard elements can be operated (in air) continuously in temperatures up to 350°F or intermittently in temperatures up to 400°F
- All types of elements can be operated in humidity ranges of 0 to 100%
- Standard elements have good salt air and mild acid resistance; excellent solvent and aromatic hydrocarbon resistance

PE-5000 Technical Specifications

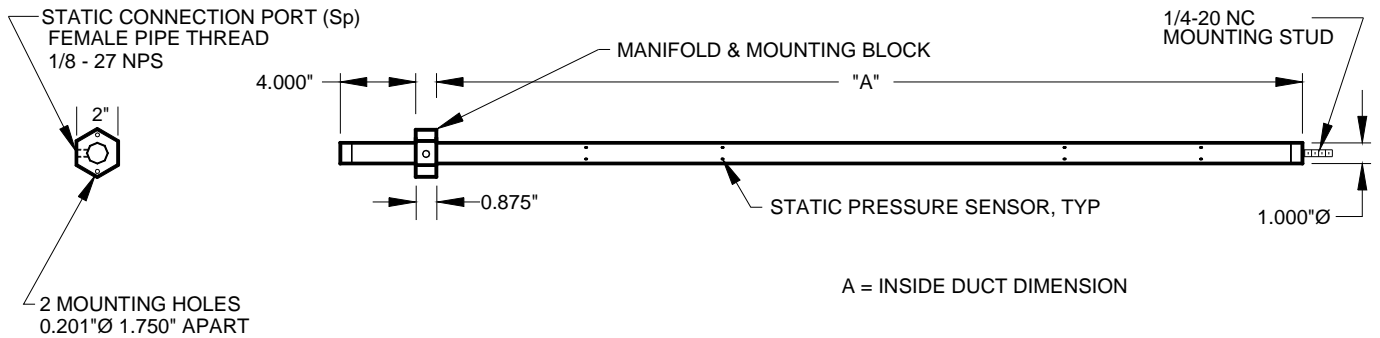
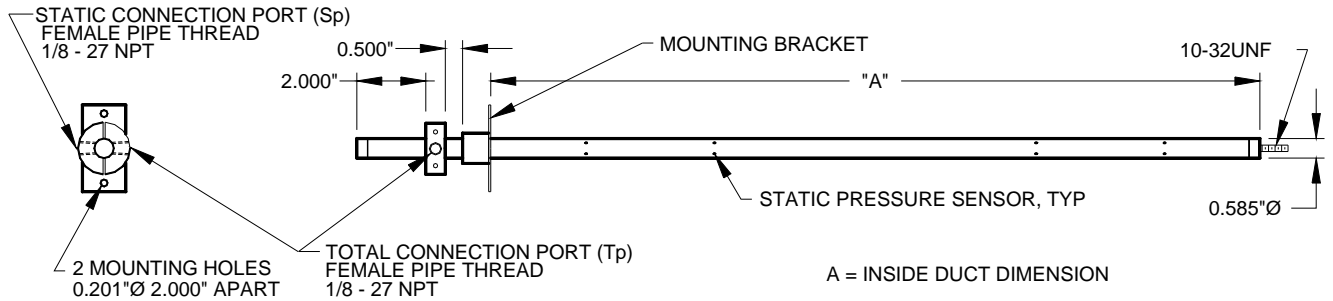
- 1. Accuracy**
 Within 1% of actual duct static pressure
- 2. Operating Velocity Range**
 100 to 10,000 fpm
- 3. Material**
 6063-T5 anodized aluminum (standard)
 Type 316L stainless steel (optional)
 Hastaloy C22 (optional)
 Type 1 PVC (optional)
Note
 Other corrosive resistant materials are available. Consult factory for further information.
- 4. Temperature**
Aluminum Elements
 350°F continuous operation (in air)
 400°F intermittent operation (in air)
Stainless Steel Elements
 1600°F continuous or intermittent operation (in air)
Hastaloy Elements
 900°F continuous or intermittent operation (in air)
PVC Elements
 120°F continuous operation and 170°F intermittent operation (in air)
Note: Corrosive resistant element maximum operating temperatures vary greatly with the concentration of the media in the process stream. Consult factory for further information.
- 5. Humidity**
All Elements
 0 to 100% non condensing
- 6. Corrosion Resistance**
Aluminum Elements
 Good salt, air, and mild acid gas resistance; excellent solvent and aromatic hydrocarbon resistance
Stainless Steel Elements
 Good for sulfates, phosphates and other salts, as well as reducing acids such as sulphurous and phosphoric
Hastaloy Elements
 Excellent resistance to strong oxidizers such as ferric and cupric chlorides, chlorine, formic and acetic acids, acetic anhydride, and salts.
PVC Elements
 Excellent acid and alkalis resistance
- 7. Instrument Connections**
Aluminum Elements
 ¼" compression, suitable for use with thermoplastic or copper tubing; thermoplastic tubing requires the use of tubing inserts, which are supplied with the fittings
Stainless Steel and Hastaloy Elements
 1/8-27 Female NPT
PVC Elements
 1/8-27 Female NPT

PE-5000 Resistance to Airflow



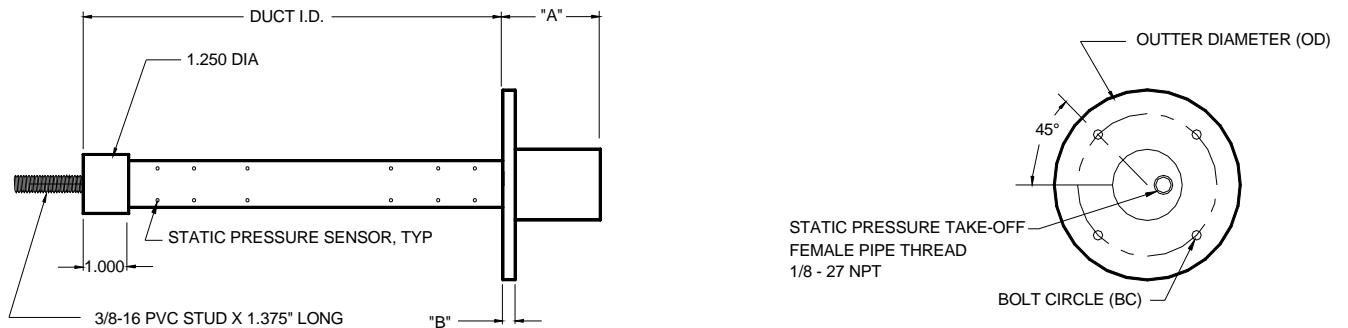
PE-5000 Dimensions

Aluminum Elements



Note: The 0.585 inch diameter probe is used for elements up to 36 inches long and the 1 inch diameter probe is used for elements greater than 36 inches long.

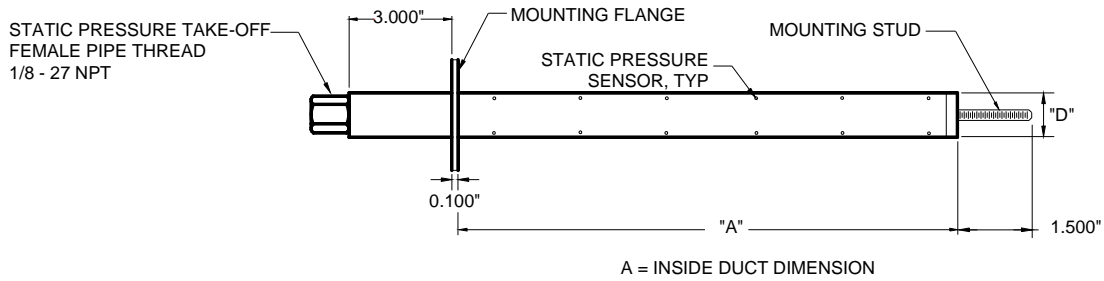
PVC Elements



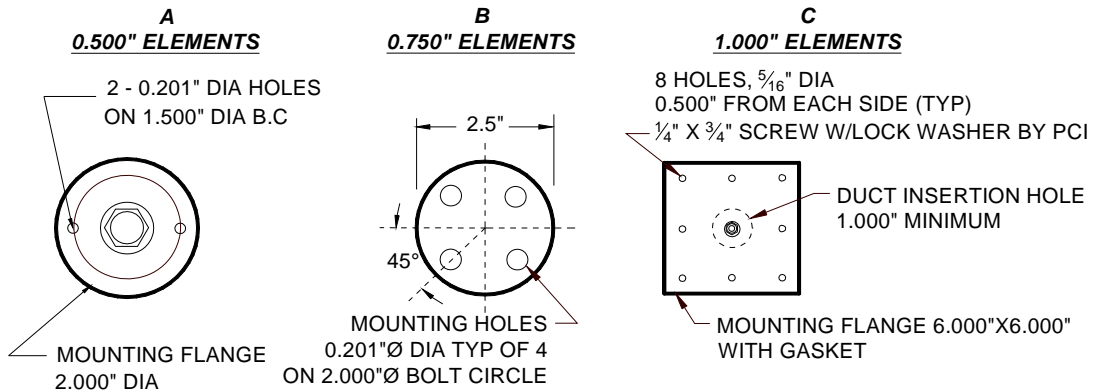
Dimension	Standard Flange (inches)	Optional 150# Flange (inches)
A	2.000	2.500
B	0.250	0.750
OD	4.000	5.000
BC	4-0.201" Diameter Holes on 3.000" BC	4-0.625" Diameter Holes on 3.880" BC

PE-5000 Dimensions (Continued)

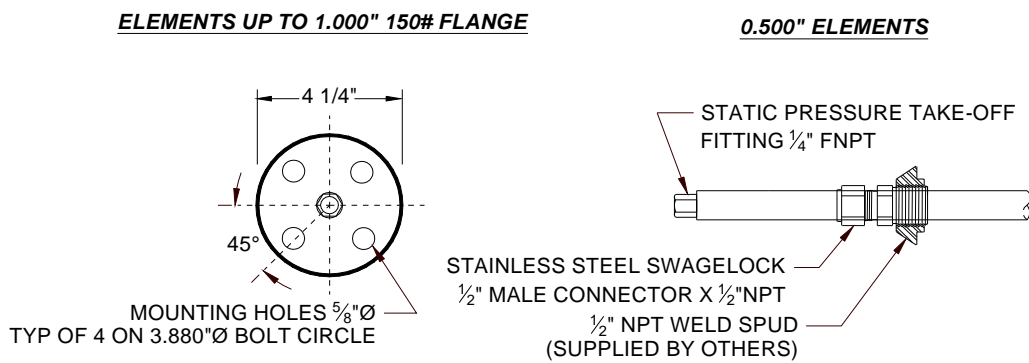
Stainless Steel, Hastaloy, and Other Corrosive Resistant Elements



STANDARD MOUNTING FLANGES



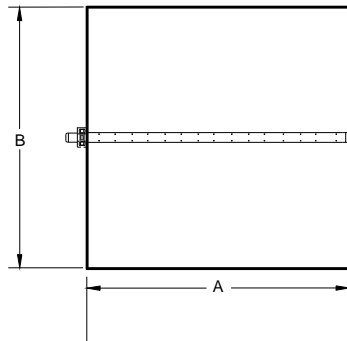
OPTIONAL MOUNTING ARRANGEMENTS



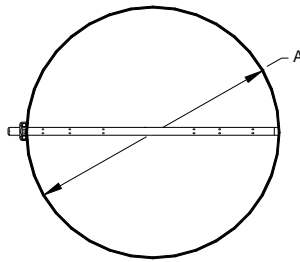
Element Dimensions		Standard Mounting Flanges	Mounting Stud
"A"	"D"		
0 - 24"	0.500"	A	1/4-20 NC
25 - 60"	0.750"	B	3/8-16 NC
Over 60"	1.000"	C	3/8-16 NC

PE-5000 Element Arrangement

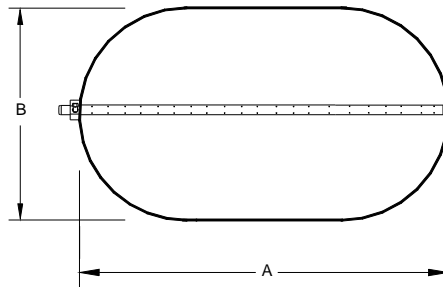
RECTANGULAR CONFIGURATION



CIRCULAR CONFIGURATION



OVAL CONFIGURATION

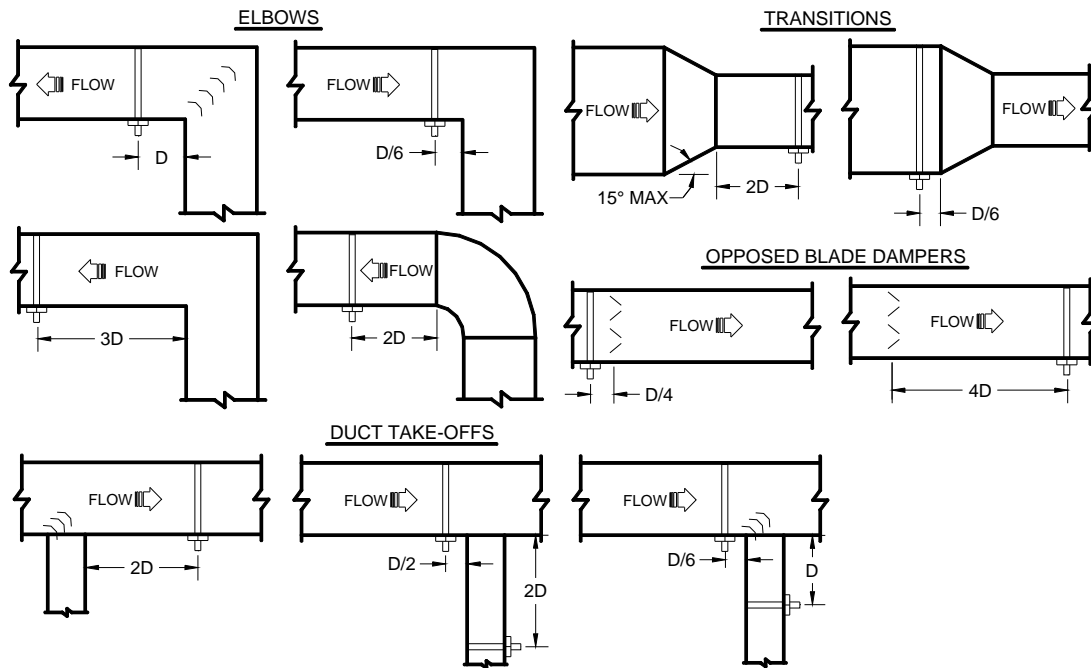


Notes:

A = Inside duct dimension (element length side)
 B = Inside duct dimension (element mounting side)

PE-5000 Minimum Installation requirements

The elements may be installed in any duct configuration. However, the accuracy of the installation is dependent on the flow conditions in the duct. The minimum installation requirements for the elements based upon a uniform velocity profile approaching the duct disturbance for flow rates less than 2,500 fpm are shown below. Add one duct diameter to the installation requirements shown below for each additional flow rate of 1,000 fpm. These are not ideal locations. It is always best to locate the elements as far as possible from all duct disturbances, with upstream disturbances being the most critical consideration.



Notes:

Round Ducts:

D = Duct diameter

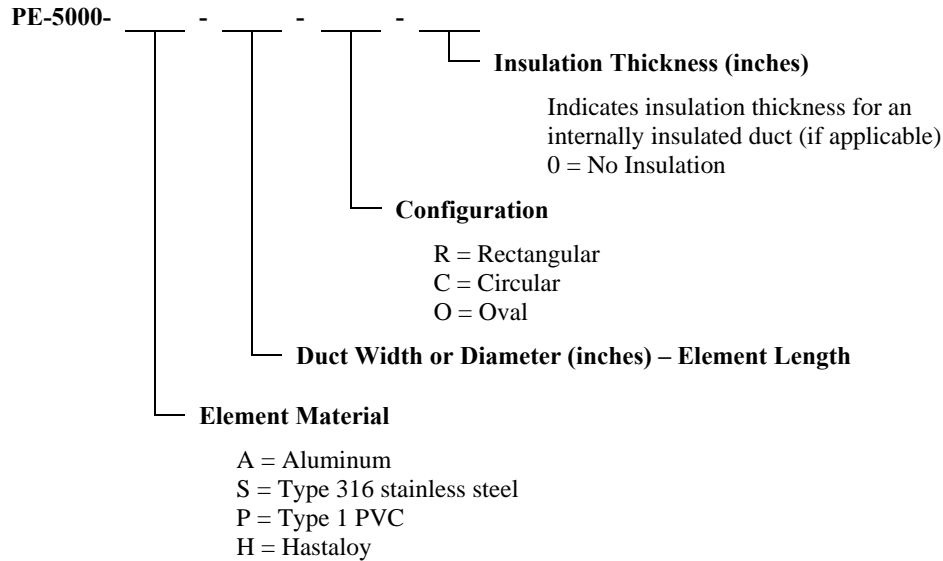
Rectangular Ducts:

$$D = \sqrt{\frac{4HW}{\pi}}$$

H = Duct height

W = Duct width

PE-5000 Ordering Information



PE-5000 Specification Guide

Duct Static Pressure Sensing Elements

1. Provide where indicated and/or scheduled duct static pressure sensing elements capable of continuously monitoring the fan or duct air volumes they serve.
2. Each element shall be designed and built to comply with, and provide results in accordance with, accepted practice for duct system traversing as defined in the ASHRAE Handbook of Fundamentals, AMCA publication #203, as well as the Industrial Ventilation Handbook. The number of sensing ports on each element, and the quantity of elements utilized at each installation, shall comply with ASHRAE Standard #111 for equal area duct traversing.
3. Each element shall be of a dual integral chambered design. Each duct static pressure sensing element shall contain multiple static pressure sensing ports placed along the leading edge of the cylinder. The static pressure chamber shall incorporate dual offset static taps on opposing sides of the averaging chamber, so as to be insensitive to flow angle variations of as much as ± 20 degrees in the approaching air stream.
4. The duct static pressure sensing elements shall be capable of producing steady, non-pulsating signals of true static pressure, with an accuracy of $\pm 1\%$ of duct static pressure. Signal amplifying sensors requiring flow correction (K factors), or field calibration are not acceptable.
5. The duct static pressure sensing traverse elements shall not induce a measurable pressure drop, greater than .18" at 4000 feet per minute. The units shall have a self-generated sound rating of less than NC40 and the sound level within the duct shall not be amplified, nor shall additional sound be generated.
6. Where duct static pressure sensing elements are located outside of the manufacturer's published installation guidelines the manufacturer shall be consulted, and approve of any special configurations, such as air equalizers and/or additional and strategically placed measuring points, as may be required.

Installation Considerations

1. Duct static pressure sensing elements shall be installed in strict accordance with the manufacture's published requirements, and with ASME guidelines effecting non-standard approach conditions. These elements serve as the primary signals for the airflow systems; it shall be the responsibility of the contractor to verify correct installation, to assure that accurate primary signals are obtained.
2. An identification label shall be place on each duct static pressure sensing element showing airflow direction and listing the Model No.; System Served, Size and Identifying Tag No.

Manufacturer

1. Pressure sensing elements shall be Paragon Controls Inc. Model PE-5000 or equal as approved by the Engineer.
2. Naming of a manufacturer does not automatically constitute acceptance of this standard product nor waive the responsibility of the manufacturer to comply totally with all requirements of the proceeding specification.

Engineering Reference Conversion Factors

LENGTH

Multiply	By	To Obtain	Multiply	By	To Obtain
millimeter (mm)	0.03937008	inch	inch (in)	25.4*	millimeter
millimeter (mm)	0.00328084	foot	foot (ft)	304.8*	millimeter
centimeter (cm)	0.3937008	inch	inch (in)	2.54*	centimeter
centimeter (cm)	0.0328084	foot	foot (ft)	30.48*	centimeter
meter (m)	3.28084	foot	foot (ft)	0.3048*	meter
meter (m)	1.093613	yard	yard (ft)	0.9144*	meter
kilometer (km)	0.6213712	mile	mile (mi)	1.609344*	kilometer

AREA

Multiply	By	To Obtain	Multiply	By	To Obtain
millimeter ² (mm ²)	0.001550003	inch ²	inch ² (in ²)	645.16*	millimeter ²
centimeter ² (cm ²)	0.1550003	inch ²	inch ² (in ²)	6.4516*	centimeter ²
millimeter ² (mm ²)	0.00001076391	foot ²	foot ² (ft ²)	92,903.04*	millimeter ²
centimeter ² (cm ²)	0.00107639	foot ²	foot ² (ft ²)	929.0304*	centimeter ²
meter ² (m ²)	10.76391	foot ²	foot ² (ft ²)	0.09290304*	meter ²
meter ² (m ²)	1.195990	yard ²	yard ² (yd ²)	0.8361274	meter ²

VOLUME

Multiply	By	To Obtain	Multiply	By	To Obtain
centimeter ³ (cm ³)	0.06102376	inch ³	inch ³ (in ³)	16.38706	centimeter ³
meter ³ (m ³)	35.31466	foot ³	foot ³ (ft ³)	0.02831685	meter ³
meter ³ (m ³)	1.307951	yard ³	yard ³ (yd ³)	0.7645549	meter ³
meter ³ (m ³)	1000.0*	litre	foot ³ (ft ³)	28.31685	liter

VELOCITY AND FLOW

Multiply	By	To Obtain	Multiply	By	To Obtain
meter/second (m/s)	196.8504	foot/minute	foot/minute (fpm)	0.00508*	meter/second
meter/minute	3.280840	foot/minute	foot/minute (fpm)	0.3048*	meter/minute
liter/second (l/s)	2.1188797	feet ³ /minute	feet ³ /minute (cfm)	0.47194750	liter/second
liter/minute	0.03531466	feet ³ /minute	feet ³ /minute (cfm)	28.31685	liter/minute
meter ³ /second	2118.880	feet ³ /minute	feet ³ /minute (cfm)	0.0004719474	meter ³ /second
meter ³ /hr	0.5885783	feet ³ /minute	feet ³ /minute (cfm)	1.6990	meter ³ /hr

PRESSURE

Multiply	By	To Obtain	Multiply	By	To Obtain
pascal	0.004015@39.2°F	inches of water	inch	0.2491@39.2°F	millimeter (mm)
kilopascal	0.2953@32°F	inches of mercury	foot	3.3864@32°F	millimeter (mm)
kilopascal	0.14504	pounds per square inch	inch	6.8948	centimeter (cm)
centimeters of water	0.3937	inches of water	foot	2.540	centimeter (cm)

Engineering Reference Table

VELOCITY VERSUS VELOCITY PRESSURE													
V = VELOCITY IN FEET PER MINUTE						P _V = VELOCITY PRESSURE IN INCHES H ₂ O							
V	P _V	V	P _V	V	P _V	V	P _V	V	P _V	V	P _V	V	P _V
180	0.0020	620	0.0240	1060	0.0701	1500	0.1403	1940	0.2346	2760	0.4749	3640	0.8260
190	0.0023	630	0.0247	1070	0.0714	1510	0.1422	1950	0.2371	2780	0.4818	3660	0.8351
200	0.0025	640	0.0255	1080	0.0727	1520	0.1440	1960	0.2395	2800	0.4888	3680	0.8443
210	0.0027	650	0.0263	1090	0.0741	1530	0.1459	1970	0.2420	2820	0.4958	3700	0.8535
220	0.0030	660	0.0272	1100	0.0754	1540	0.1479	1980	0.2444	2840	0.5028	3720	0.8627
230	0.0033	670	0.0280	1110	0.0768	1550	0.1498	1990	0.2469	2860	0.5099	3740	0.8720
240	0.0036	680	0.0288	1120	0.0782	1560	0.1517	2000	0.2494	2880	0.5171	3760	0.8814
250	0.0039	690	0.0297	1130	0.0796	1570	0.1537	2020	0.2544	2900	0.5243	3780	0.8908
260	0.0042	700	0.0305	1140	0.0810	1580	0.1556	2040	0.2595	2920	0.5316	3800	0.9002
270	0.0045	710	0.0314	1150	0.0825	1590	0.1576	2060	0.2646	2940	0.5389	3820	0.9097
280	0.0049	720	0.0323	1160	0.0839	1600	0.1596	2080	0.2697	2960	0.5462	3840	0.9193
290	0.0052	730	0.0332	1170	0.0853	1610	0.1616	2100	0.2749	2980	0.5536	3860	0.9289
300	0.0056	740	0.0341	1180	0.0868	1620	0.1636	2120	0.2802	3000	0.5611	3880	0.9386
310	0.0060	750	0.0351	1190	0.0883	1630	0.1656	2140	0.2855	3020	0.5686	3900	0.9483
320	0.0064	760	0.0360	1200	0.0898	1640	0.1677	2160	0.2909	3040	0.5762	3920	0.9580
330	0.0068	770	0.0370	1210	0.0913	1650	0.1697	2180	0.2963	3060	0.5838	3940	0.9678
340	0.0072	780	0.0379	1220	0.0928	1660	0.1718	2200	0.3017	3080	0.5914	3960	0.9777
350	0.0076	790	0.0389	1230	0.0943	1670	0.1739	2220	0.3073	3100	0.5991	3980	0.9876
360	0.0081	800	0.0399	1240	0.0959	1680	0.1760	2240	0.3128	3120	0.6069	4000	0.9975
370	0.0085	810	0.0409	1250	0.0974	1690	0.1781	2260	0.3184	3140	0.6147	4050	1.0226
380	0.0090	820	0.0419	1260	0.0990	1700	0.1802	2280	0.3241	3160	0.6225	4100	1.0480
390	0.0095	830	0.0429	1270	0.1006	1710	0.1823	2300	0.3298	3180	0.6304	4150	1.0737
400	0.0100	840	0.0440	1280	0.1021	1720	0.1844	2320	0.3356	3200	0.6384	4200	1.0997
410	0.0105	850	0.0450	1290	0.1037	1730	0.1866	2340	0.3414	3220	0.6464	4250	1.1261
420	0.0110	860	0.0461	1300	0.1054	1740	0.1888	2360	0.3472	3240	0.6545	4300	1.1527
430	0.0115	870	0.0472	1310	0.1070	1750	0.1909	2380	0.3531	3260	0.6626	4350	1.1797
440	0.0121	880	0.0483	1320	0.1086	1760	0.1931	2400	0.3591	3280	0.6707	4400	1.2070
450	0.0126	890	0.0494	1330	0.1103	1770	0.1953	2420	0.3651	3300	0.6789	4450	1.2346
460	0.0132	900	0.0505	1340	0.1119	1780	0.1975	2440	0.3712	3320	0.6872	4500	1.2625
470	0.0138	910	0.0516	1350	0.1136	1790	0.1998	2460	0.3773	3340	0.6955	4550	1.2907
480	0.0144	920	0.0528	1360	0.1153	1800	0.2020	2480	0.3834	3360	0.7038	4600	1.3192
490	0.0150	930	0.0539	1370	0.1170	1810	0.2042	2500	0.3897	3380	0.7122	4650	1.3480
500	0.0156	940	0.0551	1380	0.1187	1820	0.2065	2520	0.3959	3400	0.7207	4700	1.3772
510	0.0162	950	0.0563	1390	0.1205	1830	0.2088	2540	0.4022	3420	0.7292	4750	1.4066
520	0.0169	960	0.0575	1400	0.1222	1840	0.2111	2560	0.4086	3440	0.7378	4800	1.4364
530	0.0175	970	0.0587	1410	0.1239	1850	0.2134	2580	0.4150	3460	0.7464	4850	1.4665
540	0.0182	980	0.0599	1420	0.1257	1860	0.2157	2600	0.4214	3480	0.7550	4900	1.4969
550	0.0189	990	0.0611	1430	0.1275	1870	0.2180	2620	0.4280	3500	0.7637	4950	1.5276
560	0.0196	1000	0.0623	1440	0.1293	1880	0.2203	2640	0.4345	3520	0.7725	5000	1.5586
570	0.0203	1010	0.0636	1450	0.1311	1890	0.2227	2660	0.4411	3540	0.7813	5050	1.5899
580	0.0210	1020	0.0649	1460	0.1329	1900	0.2251	2680	0.4478	3560	0.7901	5100	1.6216
590	0.0217	1030	0.0661	1470	0.1347	1910	0.2274	2700	0.4545	3580	0.7990	5150	1.6535
600	0.0224	1040	0.0674	1480	0.1366	1920	0.2298	2720	0.4612	3600	0.8080	5200	1.6858
610	0.0232	1050	0.0687	1490	0.1384	1930	0.2322	2740	0.4681	3620	0.8170	5250	1.7184

Above P_V Values Are Based On Standard Air Density Of 0.075 lbm/ft³ Which Is Air At 68°F, 50% Relative Humidity, And 29.92" Hg. The equation for converting air volume (Q) into velocity (V) and velocity pressure (P_V) is:

$$V = \frac{Q}{A}$$

$$P_V = \left(\frac{V}{C}\right)^2 \times \rho$$

Where:

V = Velocity, in fpm

Q = Flow, in cfm

A = Area, in ft²

C = 1096.7

ρ = Density of air, in lb/ft³

P_V = Velocity pressure, in inches H₂O