



## **PE-4001 SPACE PRESSURE SENSOR WITH DIFFUSER PLATE**

### **DESCRIPTION**

Model **PE-4001** Space Pressure Sensors with diffuser plate are designed to accurately sense space static pressure levels. The diffuser plate protects the pressure sensing holes during room washdown or cleaning. The design of the sensing ports and averaging chamber produces instantaneous pressure signals in areas with low terminal velocities (below 150 feet per minute [fpm]), and therefore cannot be located adjacent to diffusers, grills, or room entrances. The **PE-4001 with diffuser plate** is designed to fit in a standard electrical utility box.

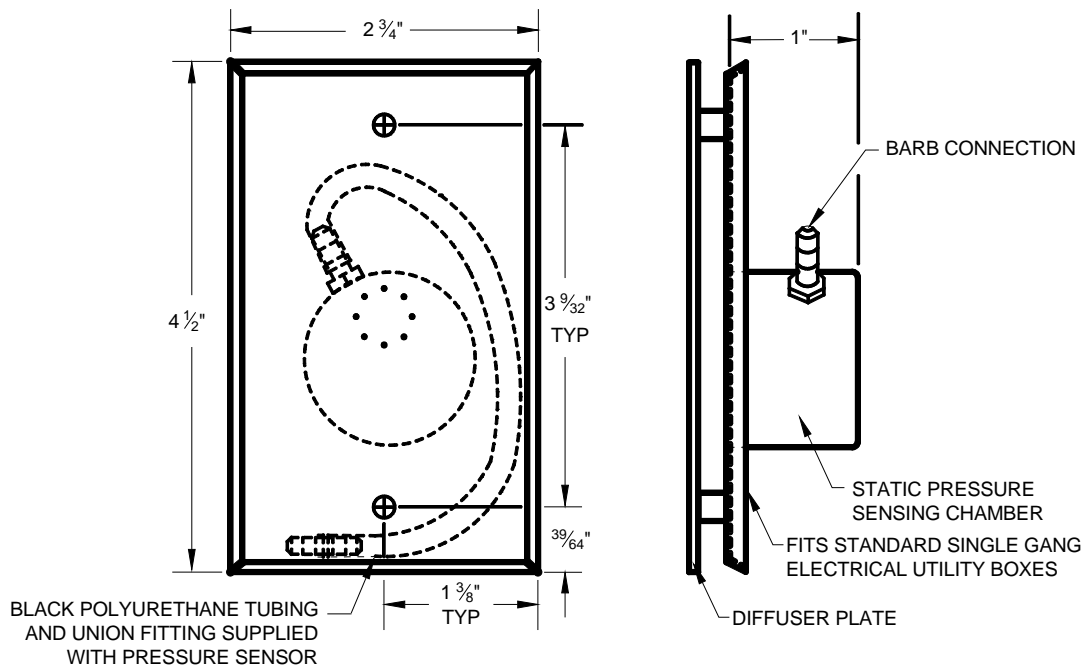
### **Features**

- Low signal-to-noise ratio
- Multiple static pressure sensing ports
- Diffuser Plate
- Averaging internal manifold
- $\pm 1\%$  accuracy of actual pressure
- Constructed of Type 304 stainless steel
- Furnished complete with mounting hardware and signal connection fitting

## PE-4001 Technical Specifications

1. **Accuracy**  
± 1% of actual pressure
2. **Temperature**  
120°F continuous operation  
170°F intermittent operation
3. **Humidity**  
0 to 100% non condensing
4. **Corrosion Resistance**  
Suitable for most environments
5. **Material**  
Type 304 stainless steel
6. **Connection Fittings**  
¼" barb connection

## PE-4001 Dimensions



## PE-4001 With Diffuser Plate Specification Guide

### Space (Room) Pressure Sensing Elements

1. Provide space static pressure sensors suitable for surface mounting. Each sensor is to be complete with multiple sensing ports, pressure impulse suppression, diffuser plate and field connection fitting. The sensing unit shall be constructed of Type 304 stainless steel with a brushed finish on exposed surfaces.
2. These elements shall be capable of sensing the static pressure in the proximity of the sensor to within ±1% of the actual pressure value.

### Manufacturer

1. Space static pressure sensors shall be Paragon Controls Inc. Model PE-4001 with diffuser plate or equal as approved by the Engineer.
2. Naming of any manufacturer does not automatically constitute acceptance of this standard product nor waive the responsibility of the manufacturer to comply totally with all requirements of the proceeding specification.