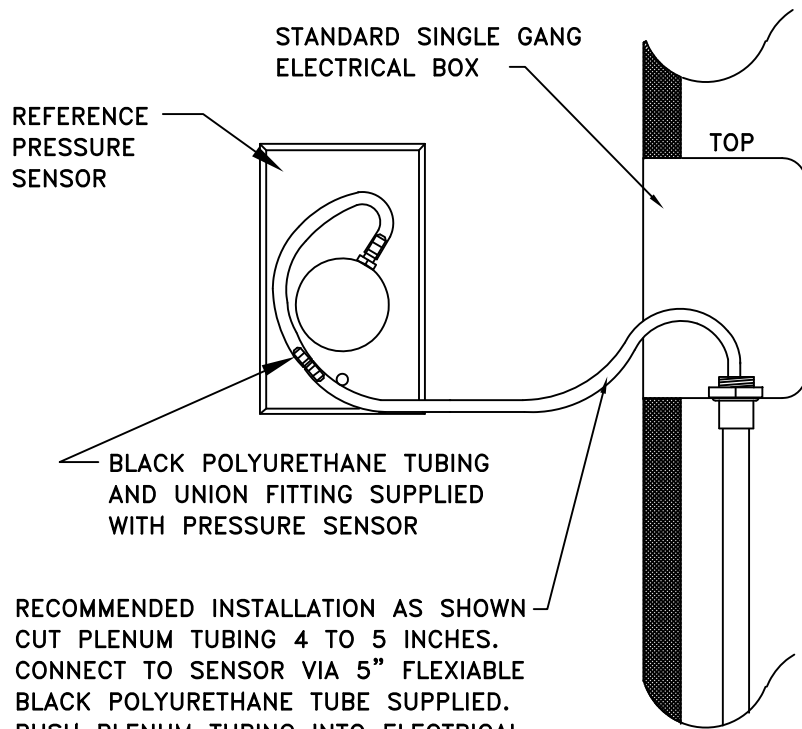
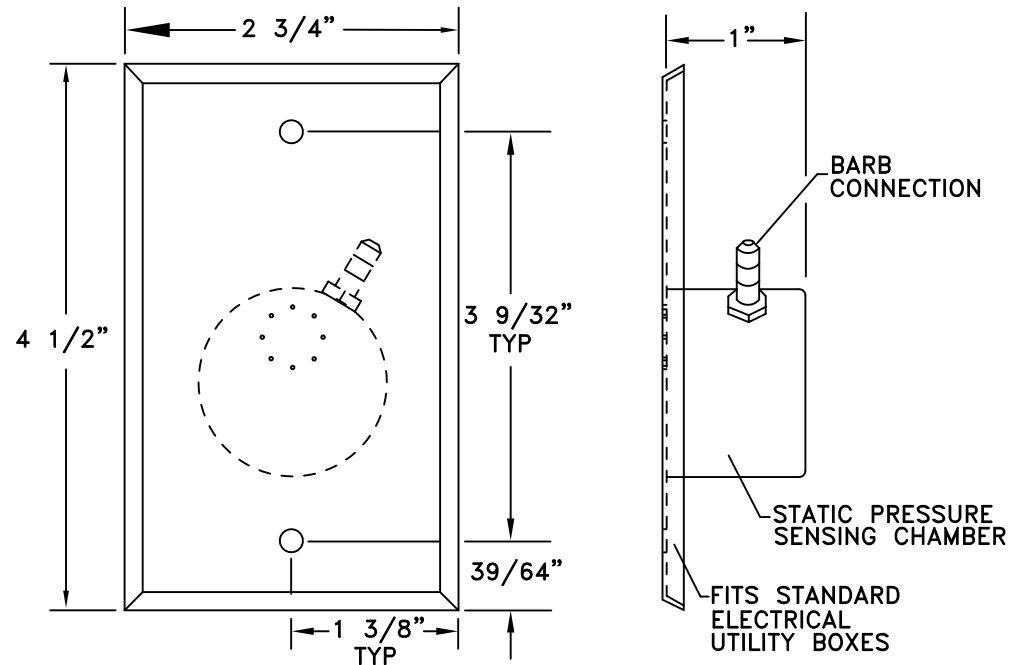


PE-4000 INSTALLATION & MAINTENANCE INSTRUCTIONS



RECOMMENDED INSTALLATION AS SHOWN
 CUT PLENUM TUBING 4 TO 5 INCHES.
 CONNECT TO SENSOR VIA 5" FLEXIBLE
 BLACK POLYURETHANE TUBE SUPPLIED.
 PUSH PLENUM TUBING INTO ELECTRICAL
 CONDUIT AND SECURE SENSOR TO ELECTRICAL
 BOX. DO NOT ALLOW TUBING TO KINK.

NOTE: ROTATE REFERENCE PRESSURE SENSOR
 180 DEGREES WHEN ELECTRICAL CONDUIT IS
 INSTALLED INTO TOP OF ELECTRICAL BOX.



MAINTENANCE

Since there are no mechanical parts in the sensor, maintenance is not required in most installations. Installations having viscous airborne particulates require periodic inspections. If sensing holes on the cover plate become fouled or plugged, cleaning is necessary.

Cleaning: Plugged sensing holes may be cleaned with a piece of wire or similar tool. Care should be taken not to disfigure original size and shape. Cleaning may be accomplished using standard industrial cleaners and using sterilizers with use of lint free cloths. Do not allow liquid to enter into the sensor as it may migrate to instruments and cause damage.

PCI PARAGON CONTROLS INCORPORATED	TITLE: PE-4000 INSTALLATION AND MAINTENANCE INSTRUCTIONS		
	PROJECT NAME: NA		
DRAWN BY: VP	DATE: 10/9/15	W.O. #: NA	PROJECT NO.: NA
CHECKED BY: VP	DATE: 10/9/15	SIZE SCALE: A NA	DRAWING NO.: PE-4000-IN
APPROVED BY: KF	DATE: 10/9/15	NEXT ASSEMBLY: NA	SHEET: 1 OF 1
			REV.: 04; 10/9/15